

Advantages

- Aluminium alloy EN AW 60-82
- Adaptable working range due to monorail jib type
- Lightweight, foldable, dismantable and discrete solution
- 360° Rotation capability
- Feasible for abseiler, RopeClimber or PI Self-Powered cradles access methods
- Self-Weight 160kg
- Working Load Limit (WLL) up to 500kg
- Standardized product 2600 x 3600mm (L x H). Others on demand.
- Contact FBA's Engineering Department for Tailor-made solutions related to the davit reach, high parapet clearance, material hoist, glass replacement and dismantable sockets hidden below roof slab.

- Compliant with
EN1808:2015
EN795:2021

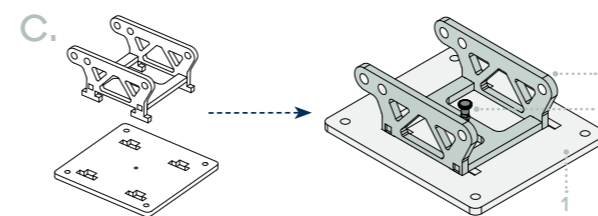
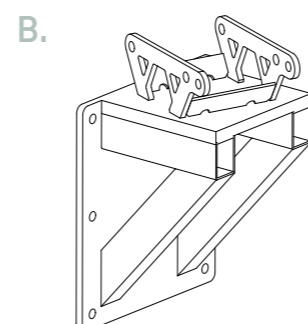
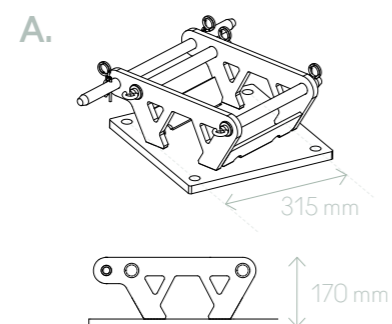


Davit arms are a perfect solution in areas where the usage of a BMU is not feasible due to space availability or the intended use of the rooftop on each building. This system can be used by an abseiler, an abseiler equipped with a RopeClimber device or workers placed in a PI type platform. Its base is permanently installed, being the davit arm the dismantable part of the system. Its construction is as follows:

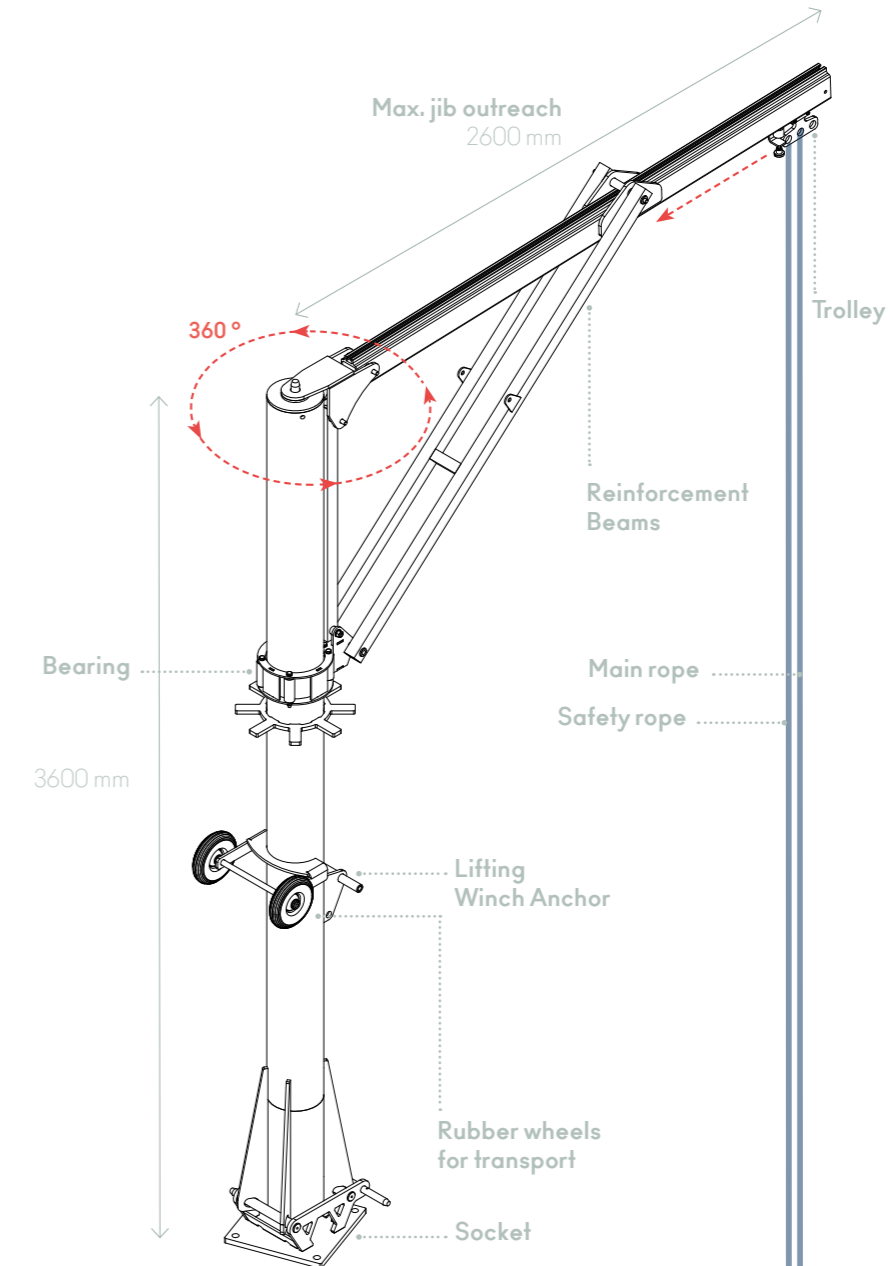
- An aluminum jib, through which a trolley with brake runs in order to adapt the working distance.
- An aluminum reinforcement to be folded for storage.
- A bearing, made out of steel and rubber, enables davit's rotation.
- An aluminum mast with an anchor point to lift the davit through a mechanical lifting winch.
- Two rubber wheels for transporting it when it is disassembled.
- High grade or galvanized steel socket/ base.

Types of sockets

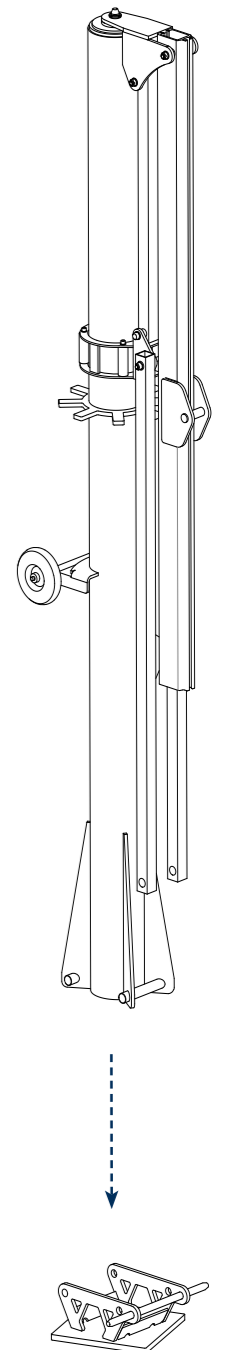
- A. Fixed socket: attachment to the mast by 3 pins with clips for easy assembly.
- B. Parapet socket configuration available.
- C. Dismountable option available to be hidden after use.



Davit on roof socket

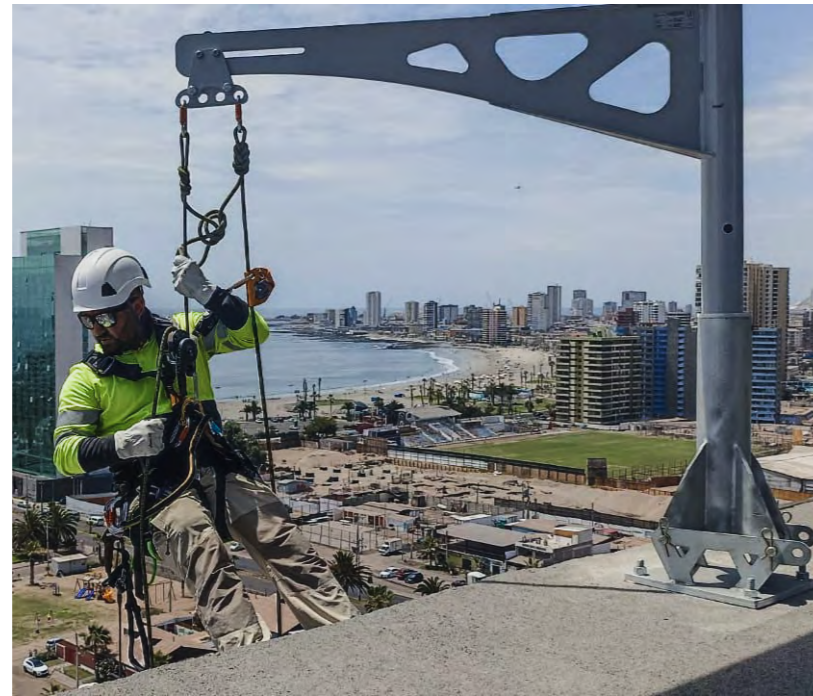


Installation



✓ Advantages

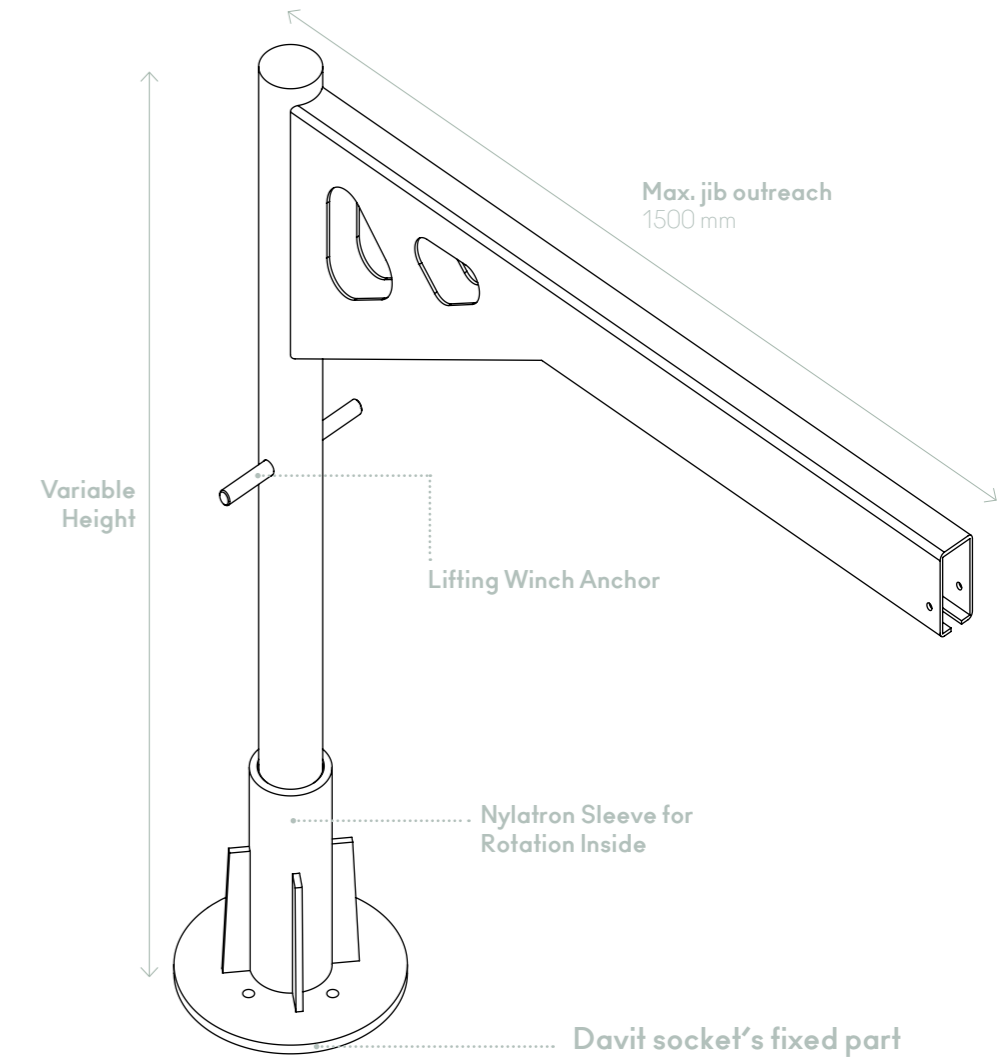
- S275JR High-Grade Steel
- Adaptable working range due to monorail jib type
- Lightweight, dismantlable and discrete solution
- 360° Rotation capability
- Feasible for abseiler, RopeClimber or PI Self-Powered cradles access methods
- Self-Weight 70kg
- Working Load Limit (WLL) up to 500kg
- Standardized product 1500 x 1525mm (L x H). Others on demand.
- Contact FBA's Engineering Department for Tailor-made solutions related to material hoist, windows replacement and dismantlable sockets hidden below roof slab.



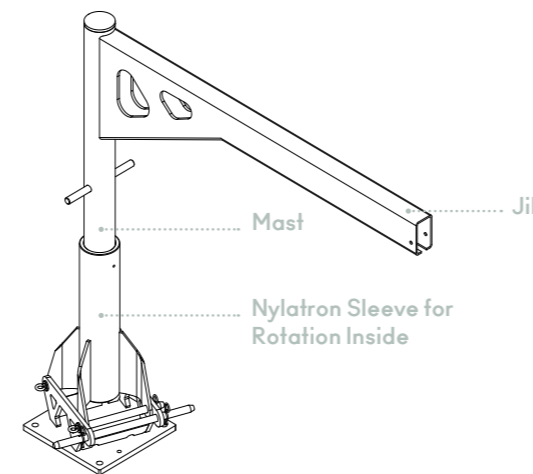
Davit arms are a perfect solution in areas where the usage of a BMU is not feasible due to space availability or the intended use of the rooftop on each building. This system can be used by an abseiler, an abseiler equipped with a RopeClimber device or workers placed in a PI type platform. Its base is permanently installed, being the davit arm the dismantlable part of the system. Its construction is as follows:

- A S275JR high-grade steel and hollow jib, allows the operator to adapt its working range.
- A Nylatron sleeve, enables Davit's 360° rotation capability.
- High Grade or Galvanized steel socket/base.
- Possibility to use the same socket than for ALU type, increasing product's versatility.

Davit mini FBA-D21-M1



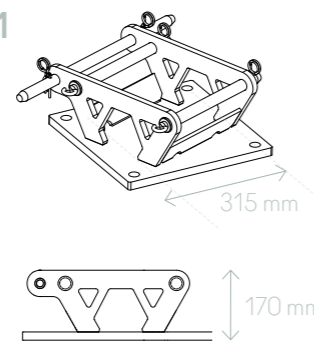
Davit mini FBA-D21-M2



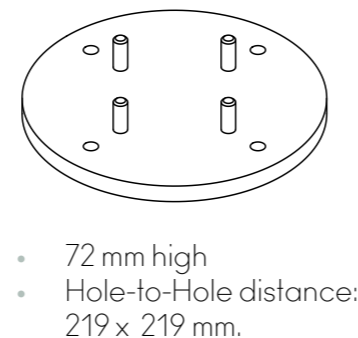
Types of sockets for davit FBA-D21_M2

1. Fixed socket type M2 ALU type: attachment to the mast by 3 pins with clips for easy assembly. Ideal for projects with both types of removable FBA davits: davit mini and aluminum davit 3m height.
2. Fixed socket type M1.
- B. Parapet socket configuration available (page Davit Mini on parapet)
- C. Dismantlable option available to be hidden after use.

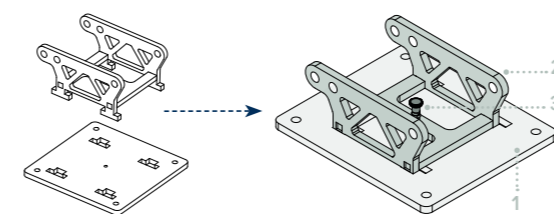
A.1



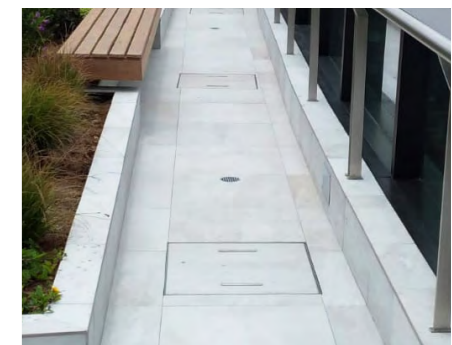
A.2



C



- ✓ Compliant with
- EN1808:2015
 - EN795:2012



Advantages

- S275JR High-Grade Steel
- Adaptable working range due to monorail jib type
- Lightweight, dismantlable, discrete and space saving solution
- Ideal for transitable rooftops
- 360° Rotation capability
- Feasible for abseiler, RopeClimber or PI Self-Powered cradles access methods
- Self-Weight 80kg
- Working Load Limit (WLL) up to 500kg
- Standardized product 1500 x 1525mm (L x H). (Others on Demand).
- Contact FBA's Engineering Department for Tailor-made solutions related to material hoist, windows replacement and dismantlable sockets hidden below roof slab.

Compliant with

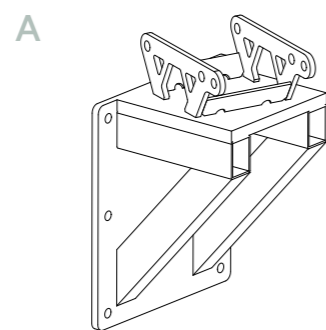
EN1808:2015
EN795:2012

Davit arms are a perfect solution in areas where the usage of a BMU is not feasible due to space availability or the intended use of the rooftop on each building. This system can be used by an abseiler, an abseiler equipped with a RopeClimber device or workers placed in a PI type platform. Its base is permanently installed, being the davit arm the dismantlable part of the system. Its construction is as follows:

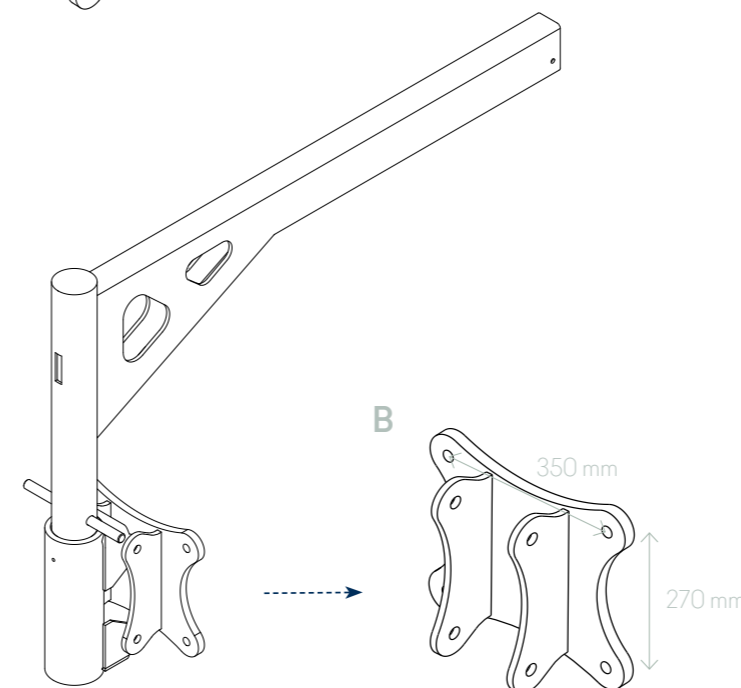
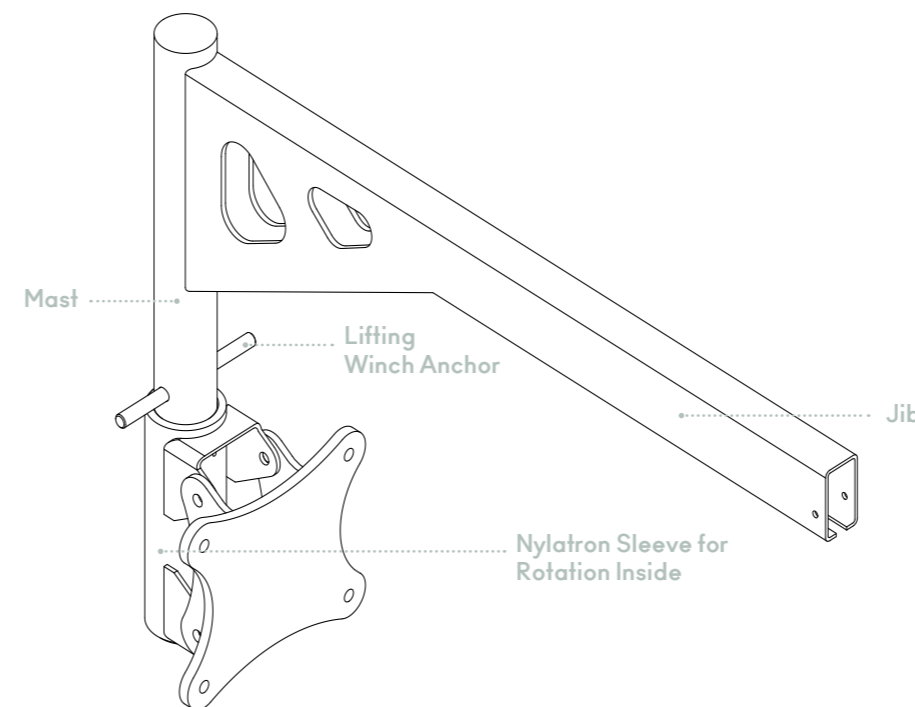
- A S275JR high-grade steel and hollow jib, allows the operator to adapt its working range.
- A Nylatron sleeve, enables Davit's 360° rotation capability.
- High Grade or Galvanized steel socket/base.

Types of sockets for davit FBA-D21_M2

- Fixed socket type M2 ALU type: attachment to the mast by 3 pins with clips for easy assembly. Ideal for projects with both types of removable FBA davits: davit mini and aluminum davit 3m height.
- Fixed socket type M3: one bracket.
- Fixed socket type M4: two brackets.



Davit Mini FBA-D21-M3-Davit System



Davit Mini FBA-D21-M4

