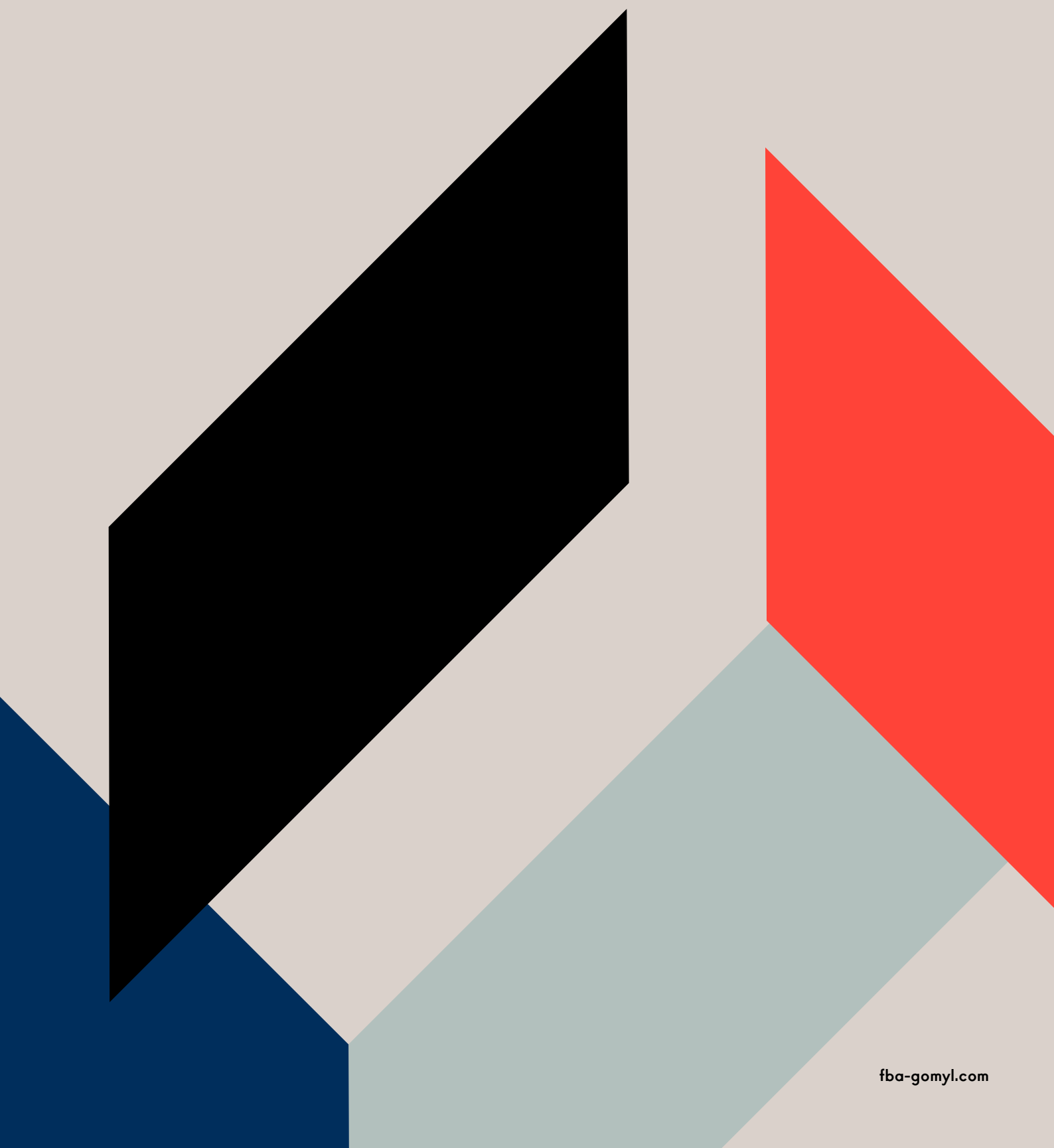
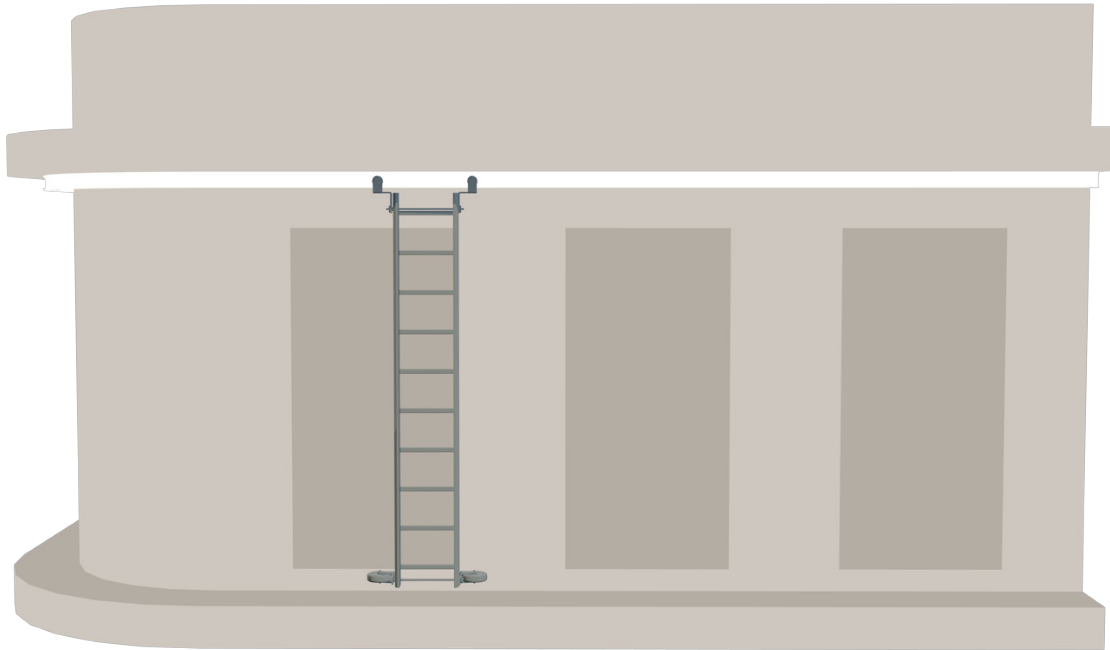


# Traversing ladders



# Aesthetic solution for short-length facades



The traversing ladder is a SafeLadder travelling on a SafeAccess rail fixed on the facade or on a parapet. Wheels are provided at the bottom of the ladder to increase the stability. Additional accessories may be fitted on the ladder, such as a platform above a parapet, footrests and telescopic sections among others. The ladder is connected to the rail through a wide range of trolleys that can be motorized - even battery operated trolleys - or manually operated, allowing the horizontal displacement all over the facade.

This is an optimal solution for the cleaning and maintenance of facades that do not exceed 12m in height and which have easy access from the ground. The SafeLadder is an aluminium ladder equipped with an integrated protection system against falls. The system has been designed and tested in accordance with the EN353/1 standard for personal protective equipment.

The SafeAccess rail system is an anchoring device that has been tested and approved according to the standard EN1808 for suspended access equipment.

Rapidly installed and low-cost solution

Easily operated. Just requires a basic training in work at heights

A lightweight solution

A discrete solution for gleaming facades

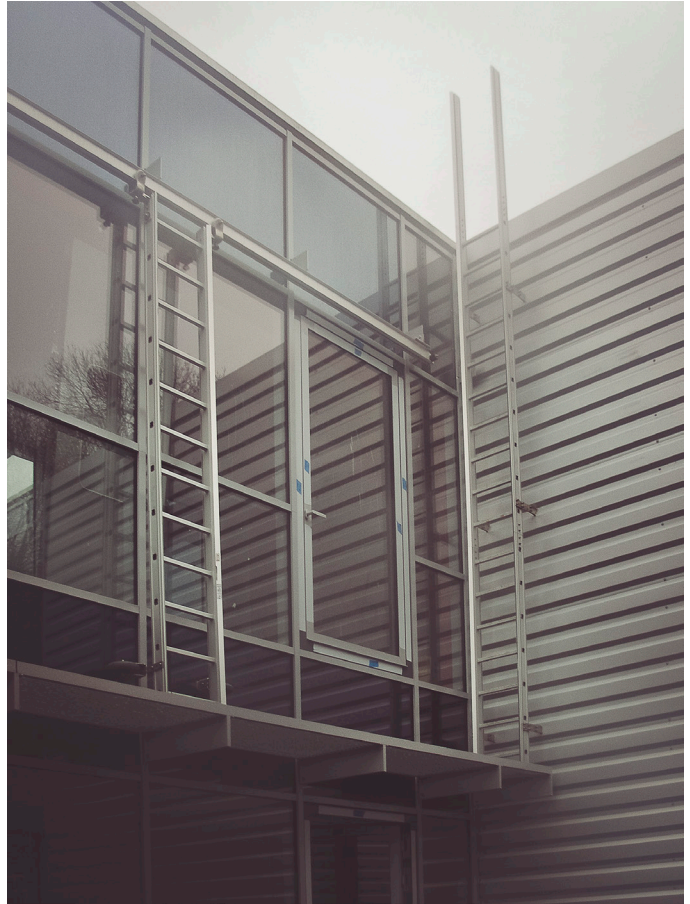
**1. The Ladder**

These permanent access systems are composed of structural ladders that move over a series of fixed rails, which are attached to the building. From the traversing ladder one can safely access the facade for cleaning or maintenance purposes. The length and railtrack path is designed to meet your specific requirements. Based on the desired principles of operation we typically propose one or more designs, using our experience to ensure the designs are practically feasible and provide the desired ease of use. We also produce custom platforms to be integrated in third party building maintenance units.

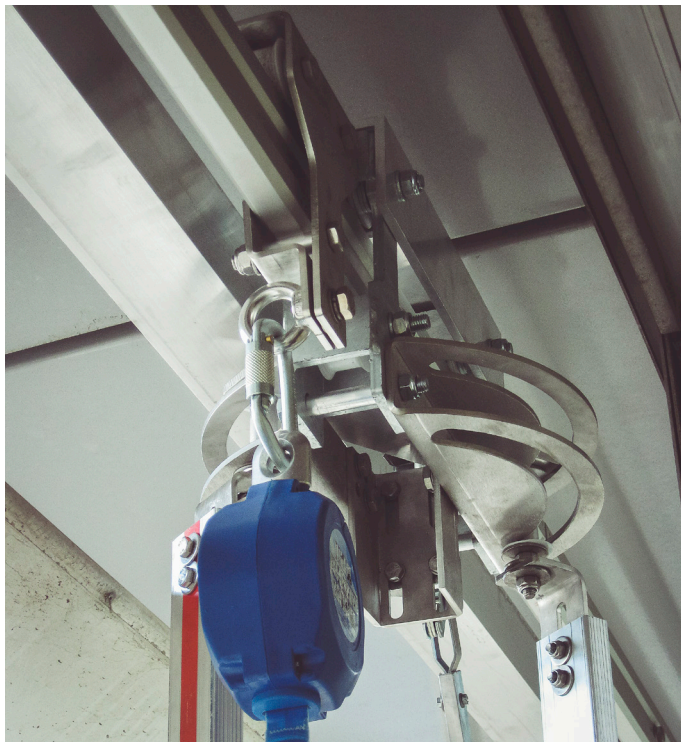
**2. The SafeAccess**

The traversing ladder system usually works with a SafeAccess system from Fallprotec.

The rail is made from aluminium alloy EN AW6060 T6. This alloy is capable of withstanding a marine environment, and thanks to the anodized treatment no electrolytic corrosion will take place between the steel structure and the rail.



Traversing Ladder in a glass facade.



Rotatory ladder combined with a traversing system.

Each section of rail is connected to the next one by a junction section (rectangular tube) fixed by riveting.

A bracket should be placed at each end of the rail and at regular intervals. The maximum distance between two adjacent brackets should not exceed 3 meters for a suspended load of 2 x 400 kg. The distance between façade and rail is 600 mm (others on request).

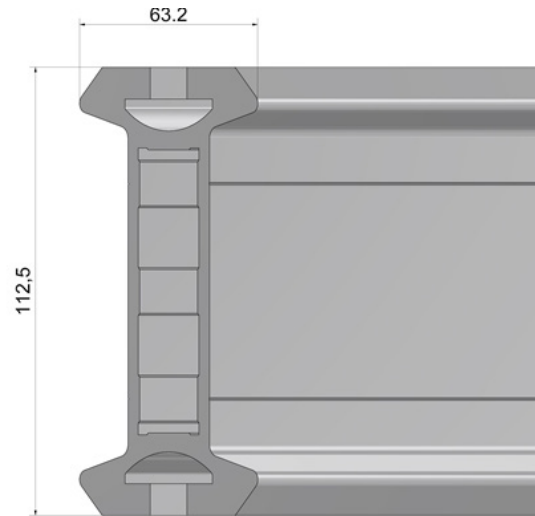
Regarding the curves, the rail may be bent with a radius of 600mm or more. The rail is bent in the factory with a straight length at both ends, as shown. The curved section is supported by 3 brackets.

**3. The SafeAccess C**

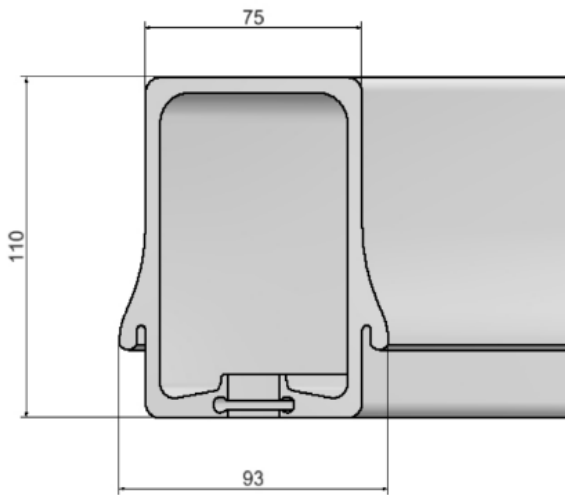
The Fallprotec SafeAccess C system is designed for traversing systems fixed under ceiling.

The rail is made of raw aluminum alloy EN AW6060 T66, on request it can be powder coated or anodized. The rail can be mounted in a false ceiling or on the underside of a ceiling. Each section of rail is connected to the next one by a junction. The system can be installed both on concrete slab or on a steel structure.

A bracket should be placed at each end of the rail and at regular intervals. The maximum distance between two adjacent brackets should not exceed 3 meters for a suspended load of 2 x 400 kg. The rail may be bent, with a minimum radius of 800 mm.



SafeAccess rail profile.



SafeAccess C rail profile